

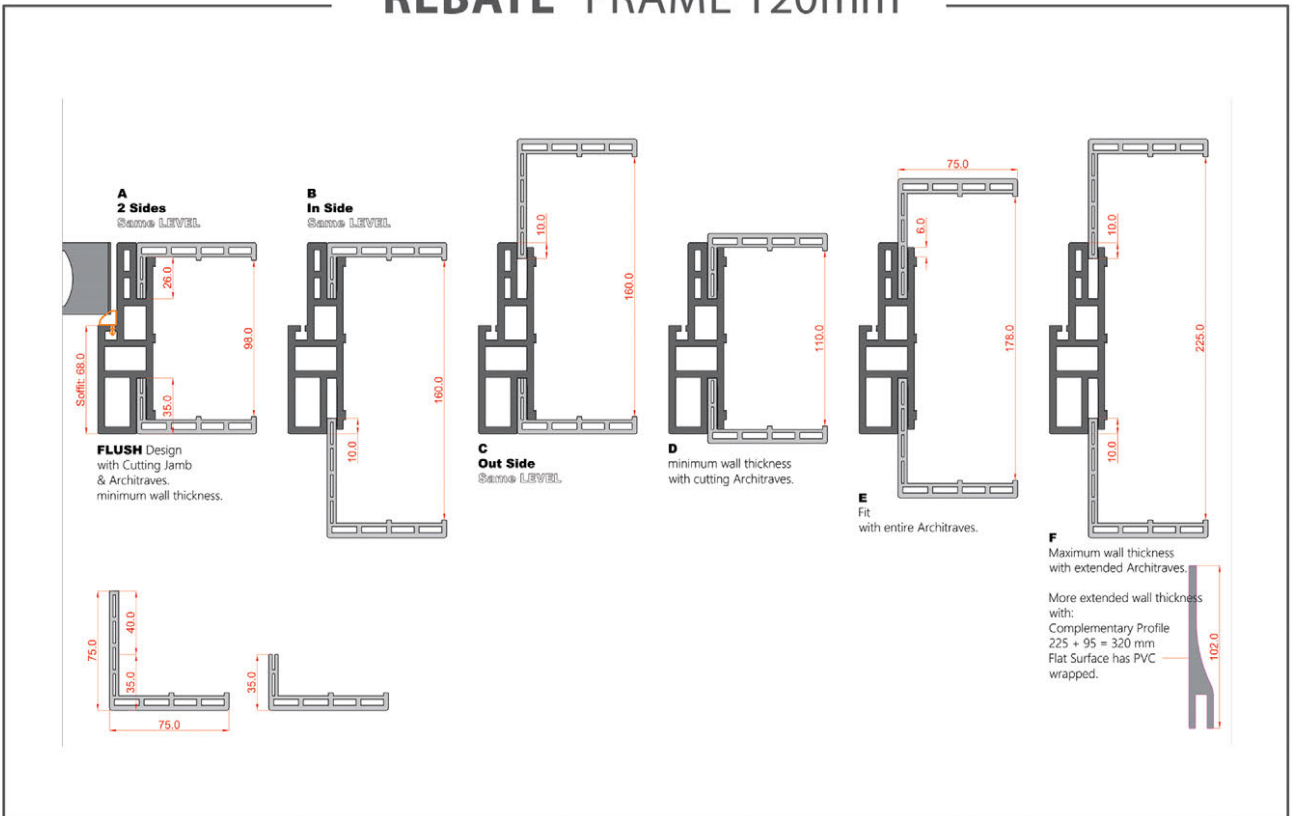


# TECHNICAL STRUCTURE

**MODERN FRAME 120mm**



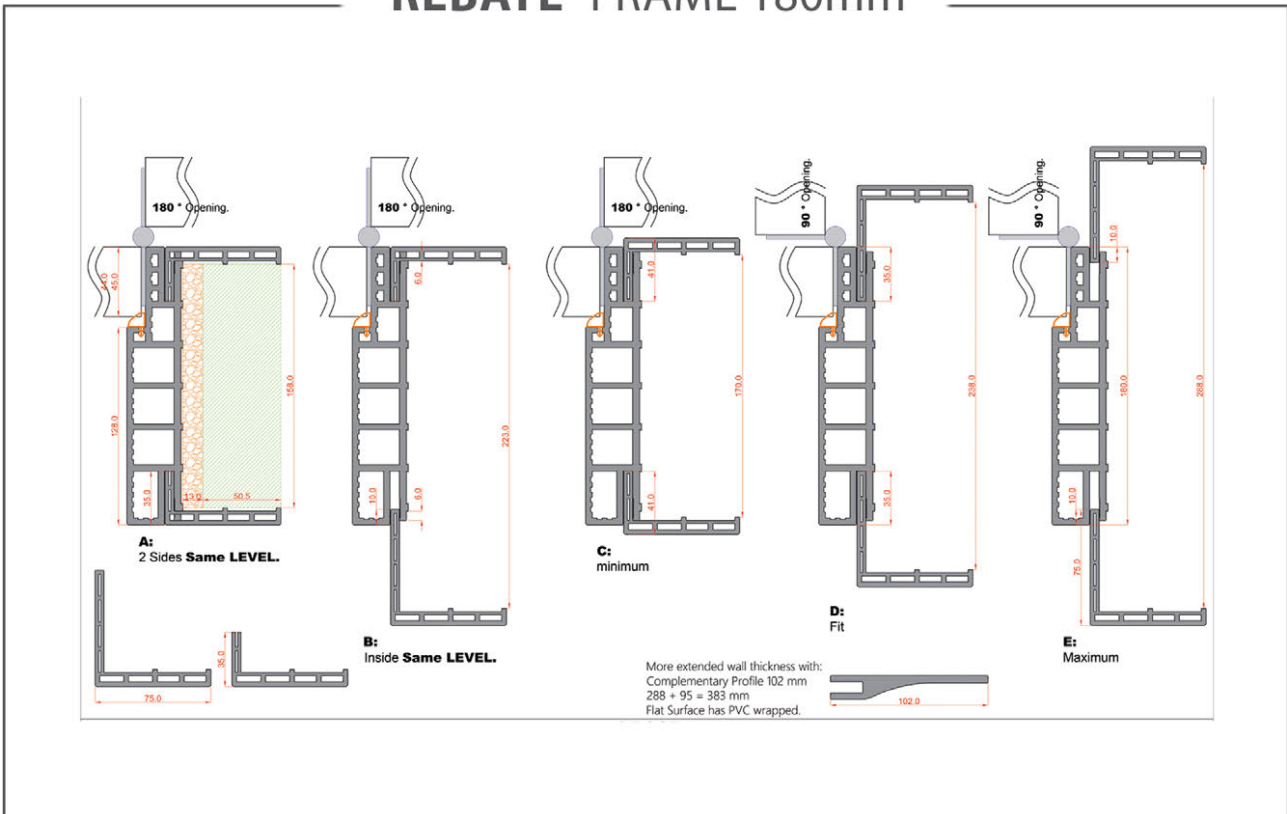
**REBATE FRAME 120mm**



**MODERN FRAME 180mm**



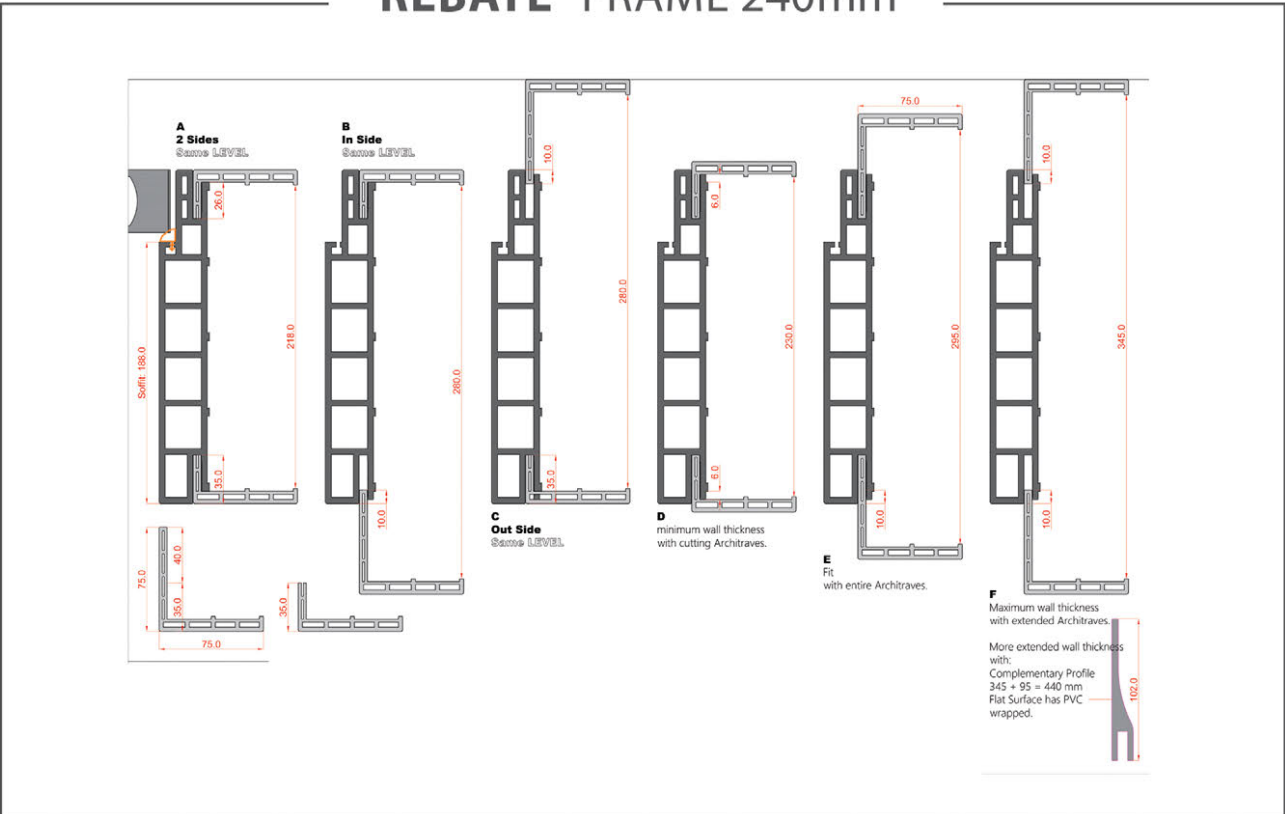
**REBATE FRAME 180mm**



**MODERN FRAME 240mm**



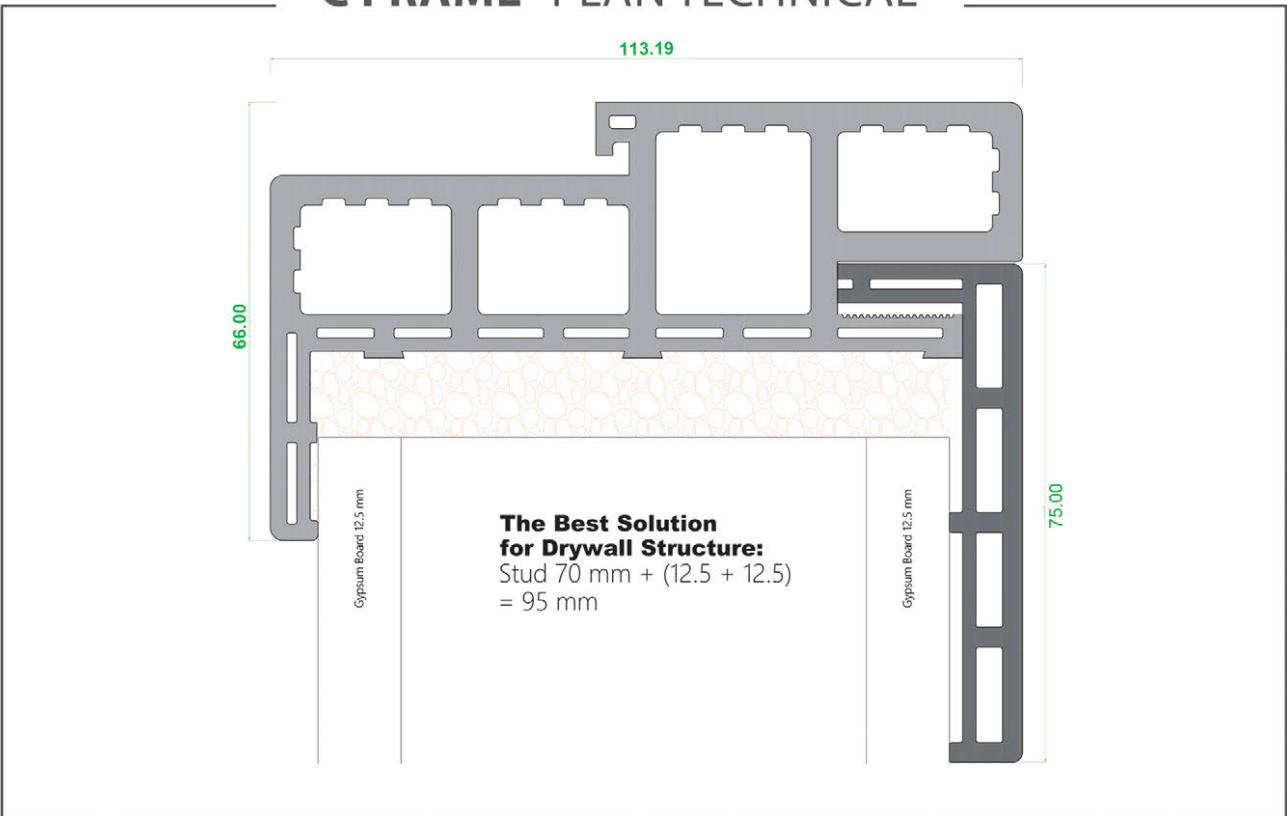
**REBATE FRAME 240mm**



### C FRAME SECTION



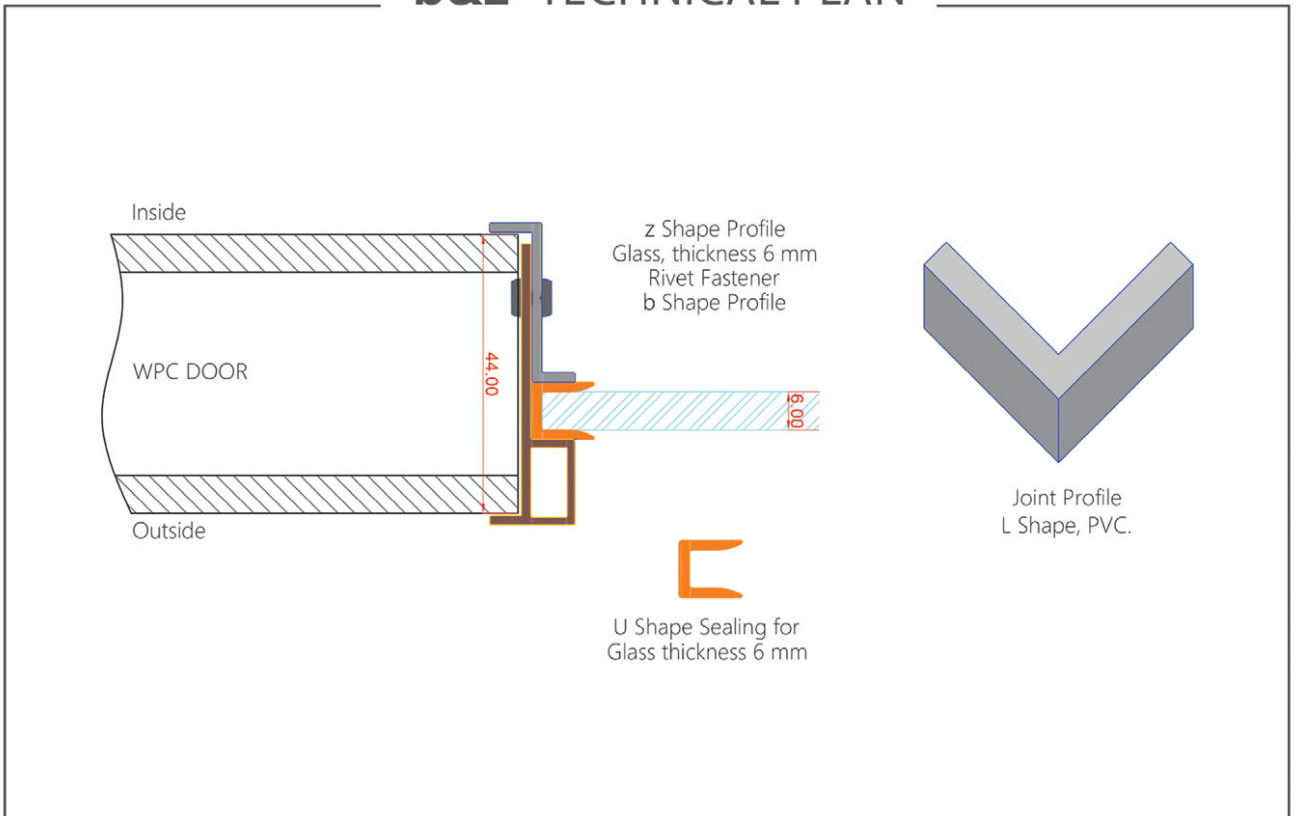
### C FRAME PLAN TECHNICAL



**b&z** NEW GLASS FRAME PROFILE



**b&z** TECHNICAL PLAN

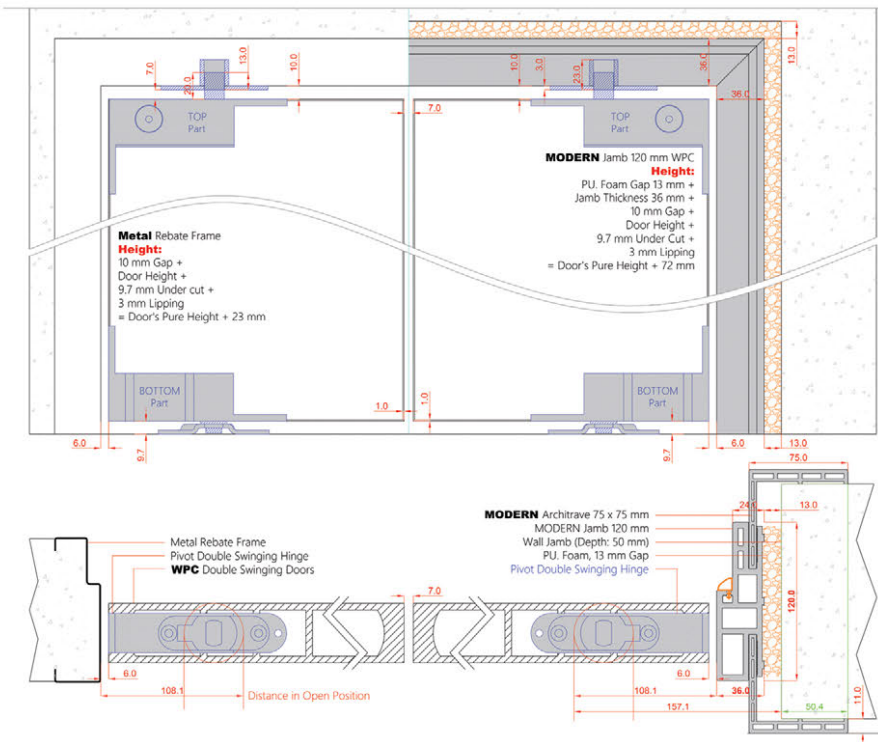




**PIVOT HINGES DOUBLE SWINGING**



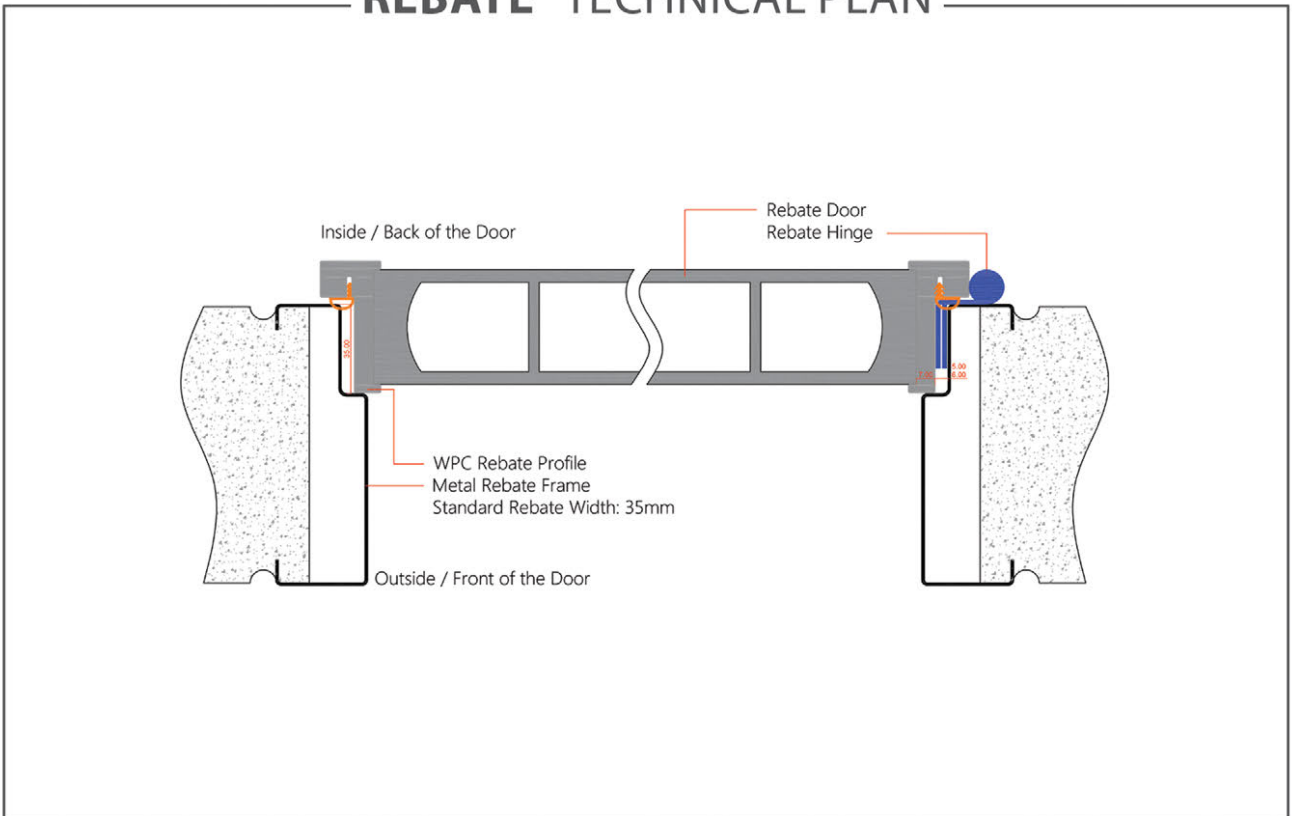
**PIVOT HINGES PLAN TECHNICAL**



REBATE EDGE DOOR



REBATE TECHNICAL PLAN

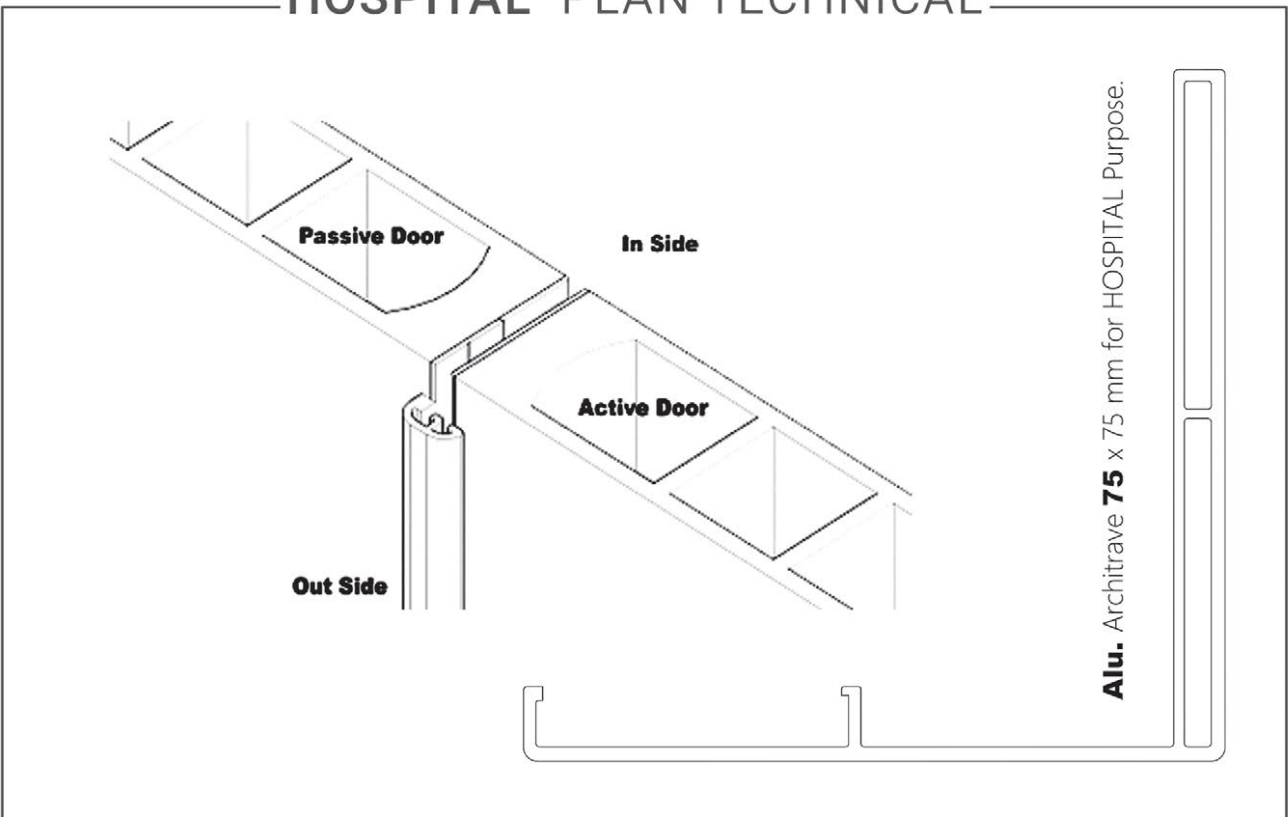




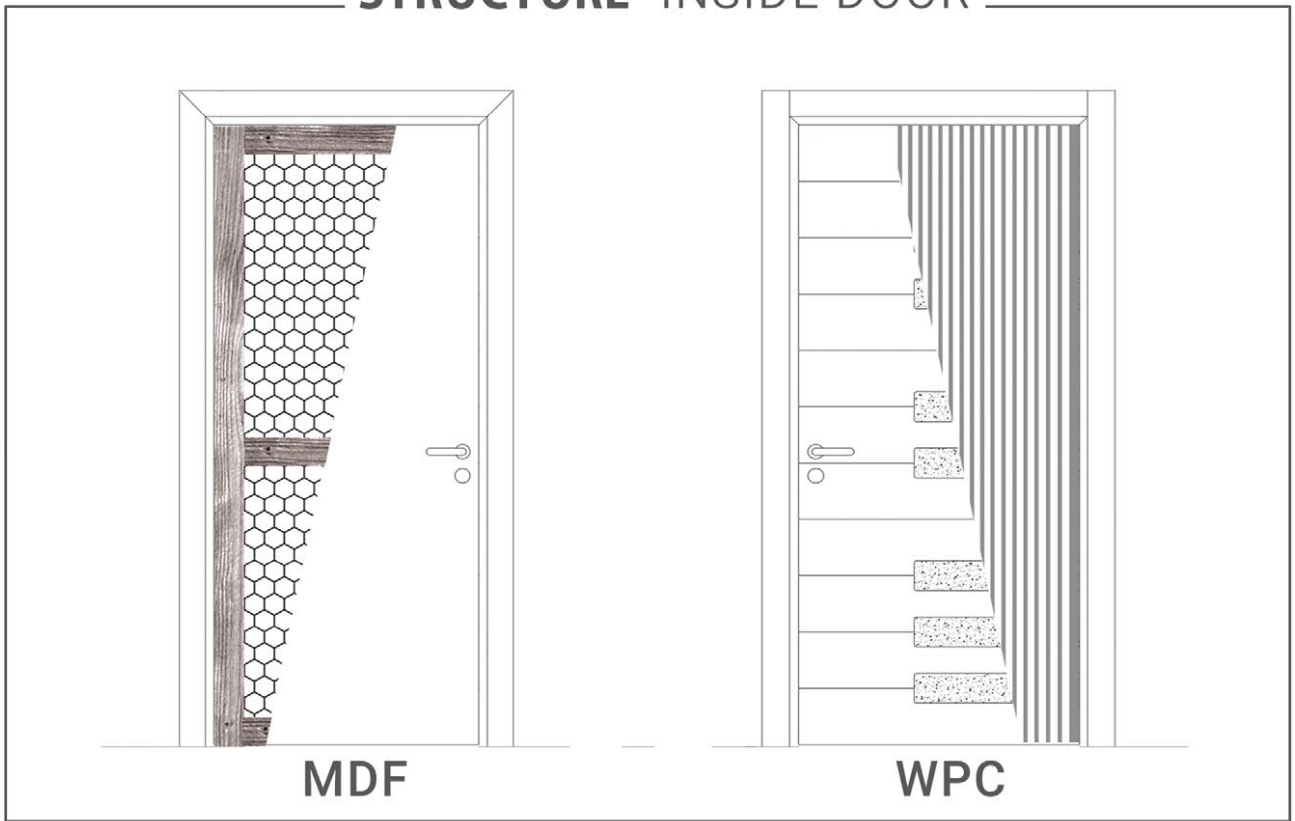
# HOSPITAL STEEL PLATES



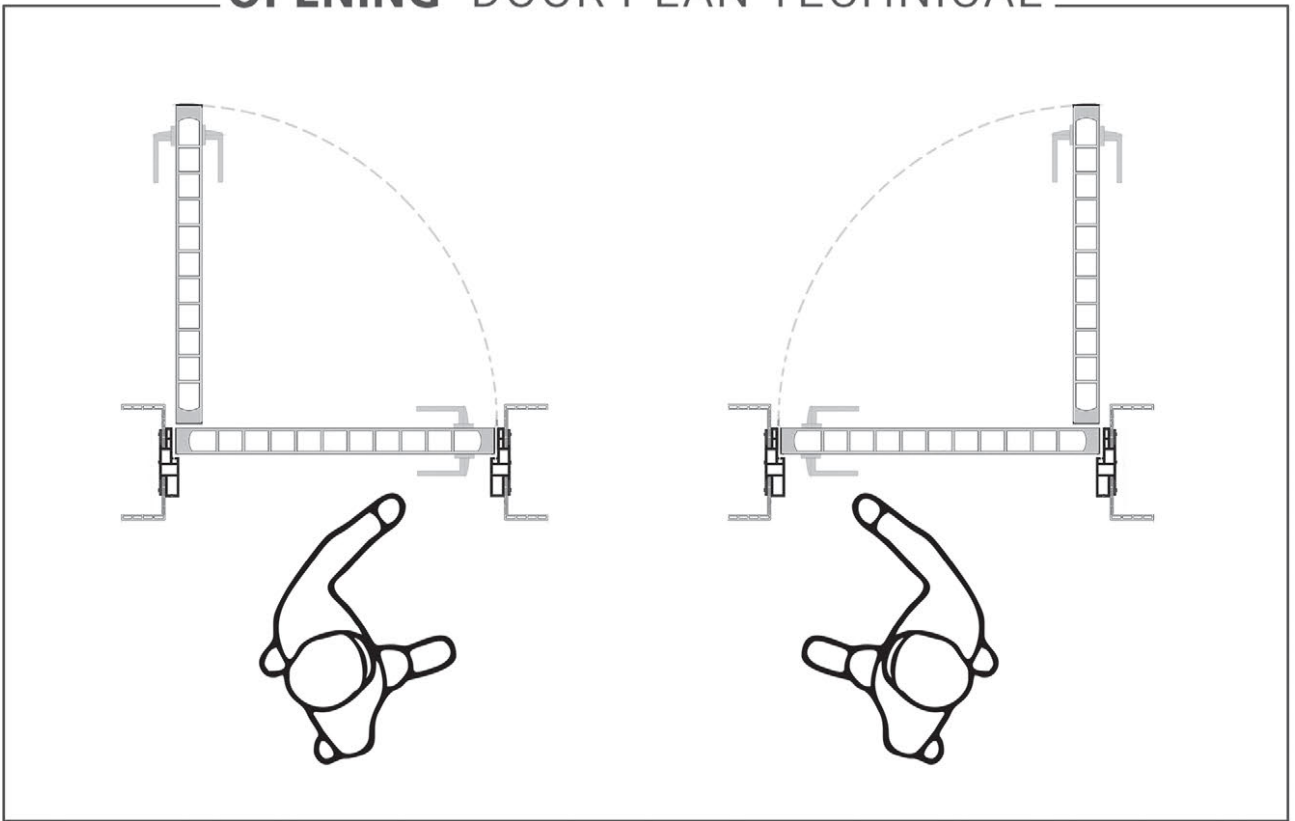
# HOSPITAL PLAN TECHNICAL



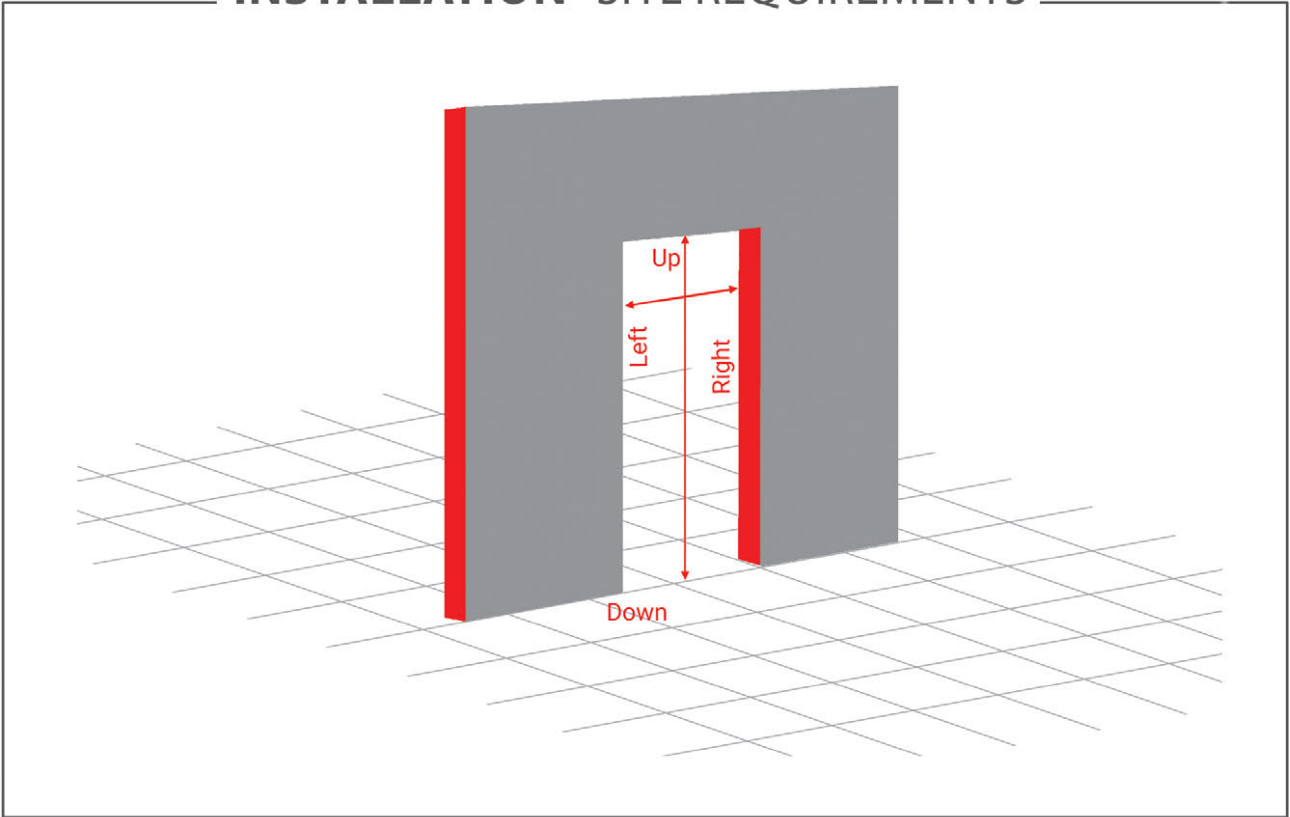
**STRUCTURE INSIDE DOOR**



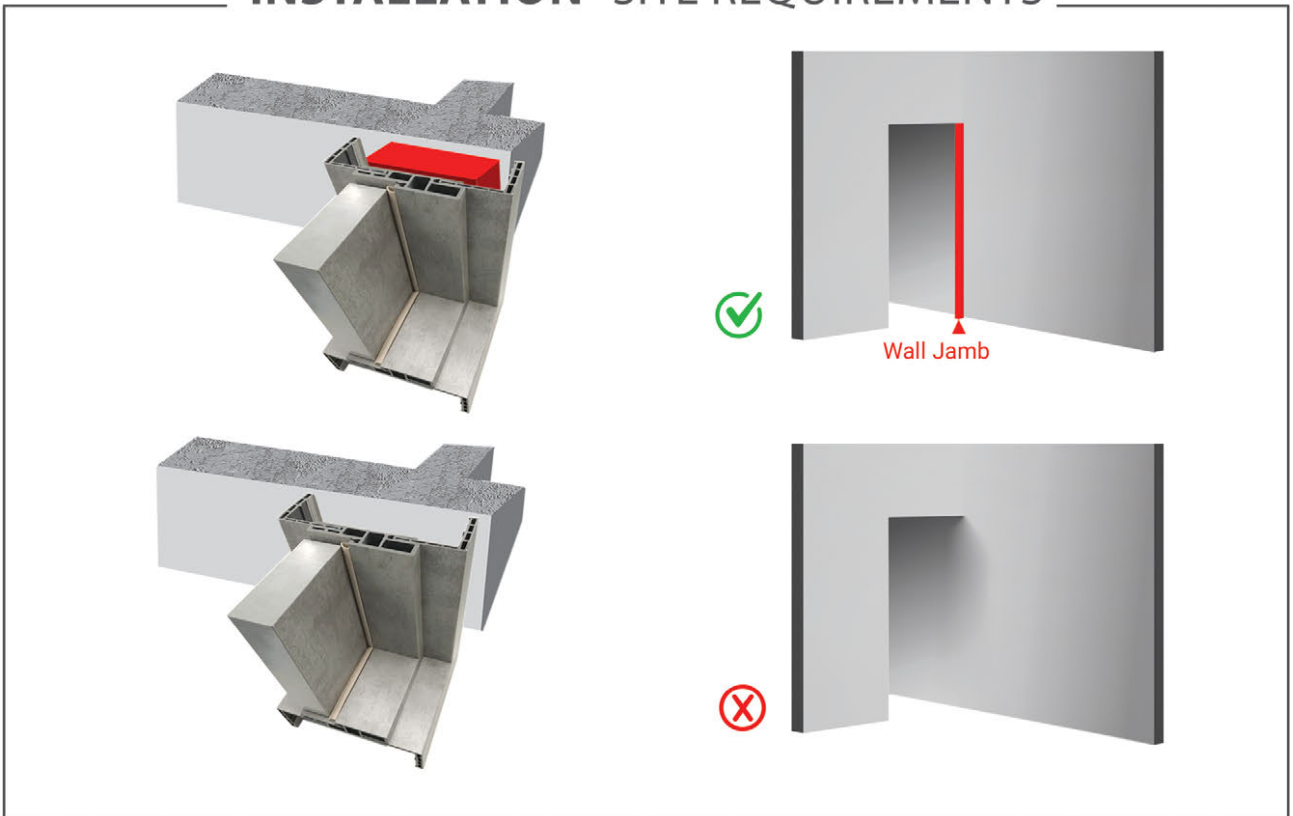
**OPENING DOOR PLAN TECHNICAL**



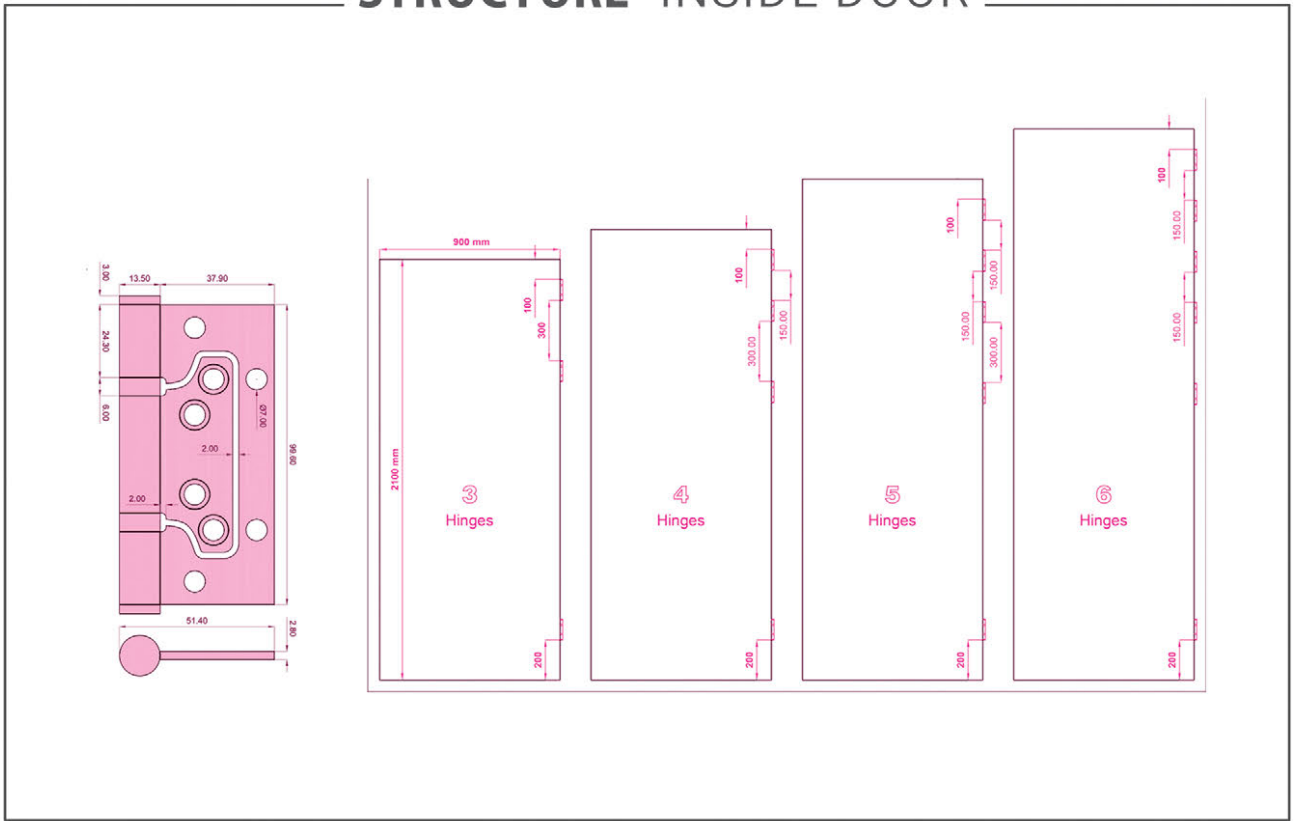
# INSTALLATION SITE REQUIREMENTS



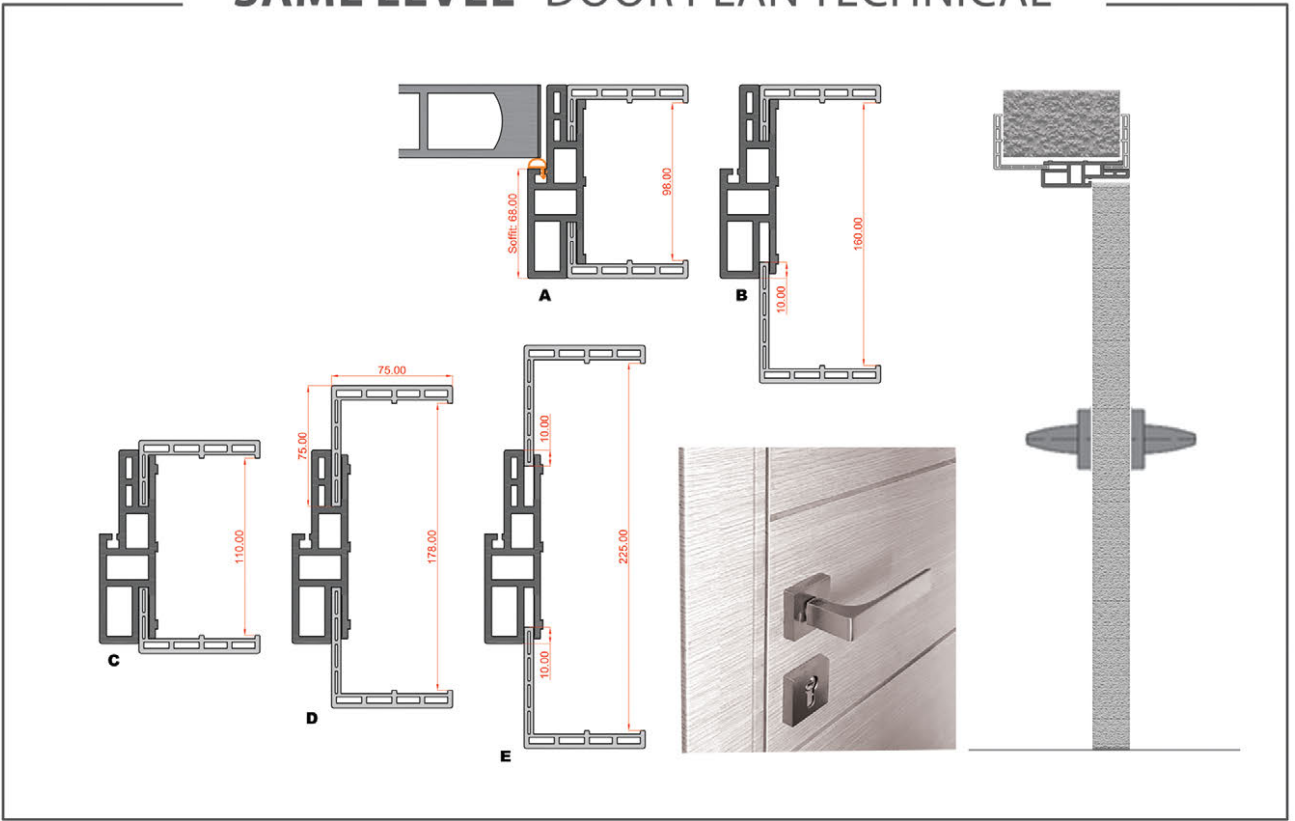
# INSTALLATION SITE REQUIREMENTS



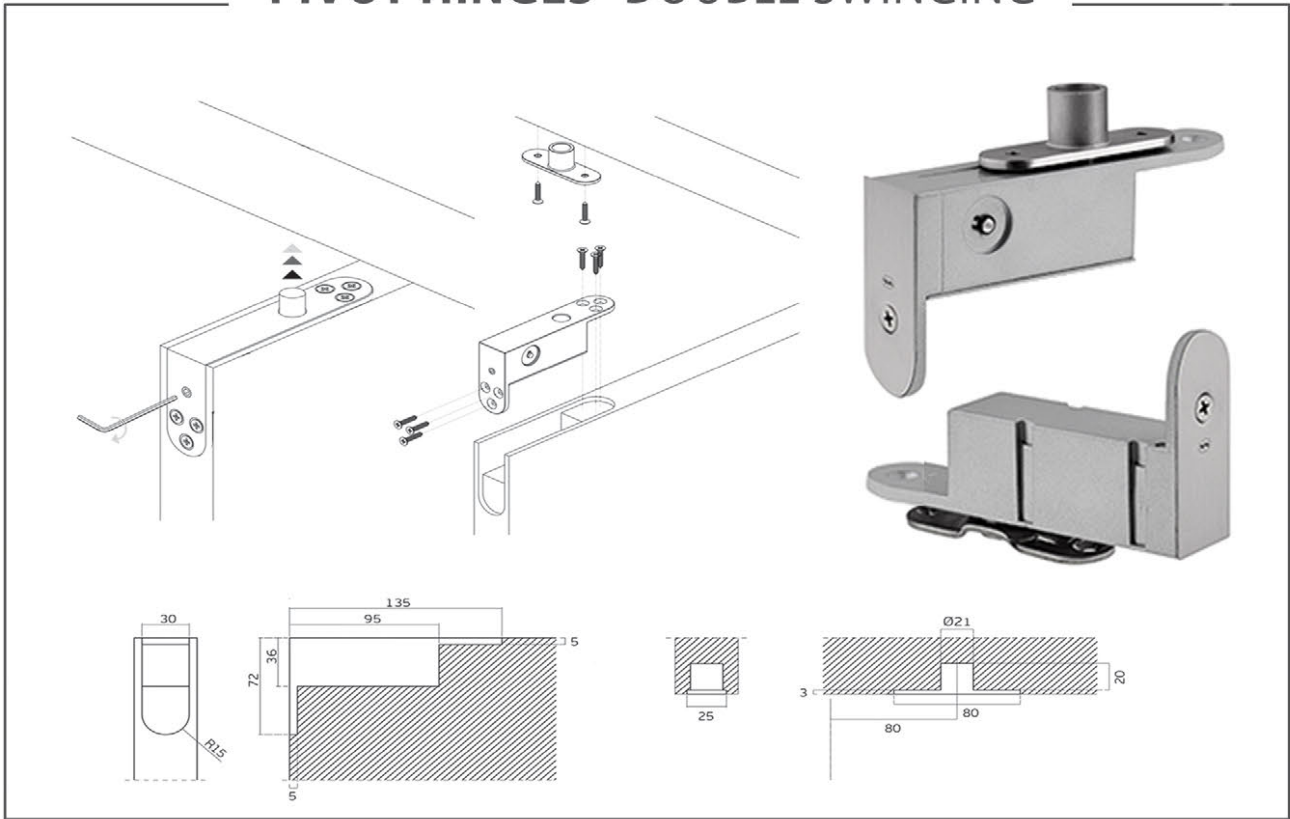
**STRUCTURE INSIDE DOOR**



**SAME LEVEL DOOR PLAN TECHNICAL**



## PIVOT HINGES DOUBLE SWINGING



## 3D HINGES PLAN TECHNICAL

